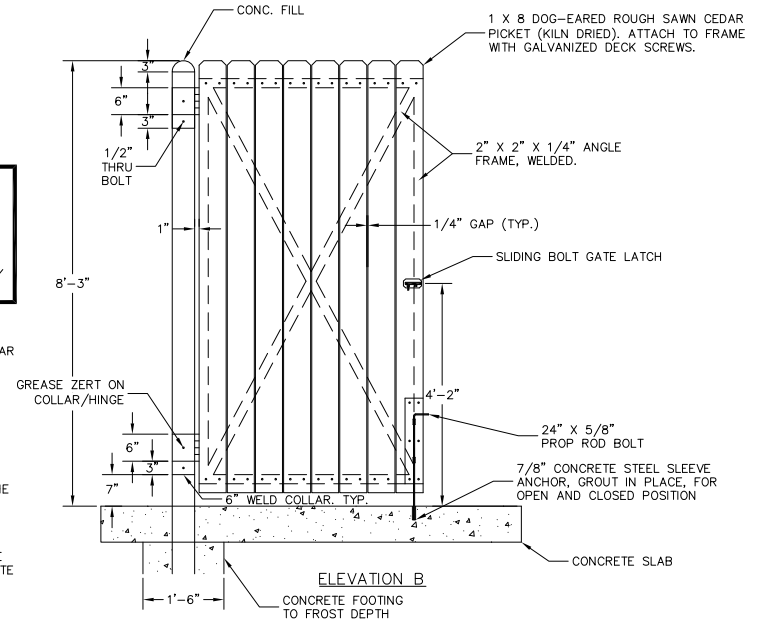
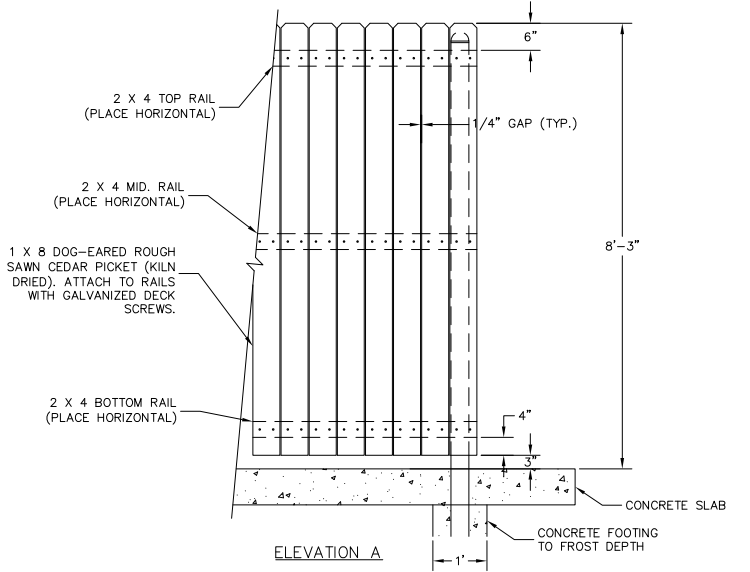


TABLE 1: GATE/OPENING WIDTH	
1 UNITS	13'-4"
2 UNITS	26'-4"
>2 UNITS	APPROVAL BY CITY

- NOTE:**
1. APPLY 2 COATS OF A "CLEAR SEALER" TO ALL ROUGH SAWN CEDAR FENCING AND/OR GATES AS APPLICABLE.
 2. ALTERNATIVE DESIGNS MUST MEET THESE MINIMUM REQUIREMENTS AND SHALL BE APPROVED BY THE CITY.
 3. ALL APPROACHES AND CLEARANCES TO THE PAD SHALL BE APPROVED BY THE DIRECTOR OF SOLID WASTE OR THEIR REPRESENTATIVE.
 4. DUMPSTER PAD LOCATION(S) AND SPECIFICATIONS SHALL MEET THE MINIMUM REQUIREMENTS OF CHAPTER 24 OF THE CITY OF KILLEEN CODE OF ORDINANCES.
 5. DRAINAGE INFRASTRUCTURES SHALL NOT HAVE CONCENTRATED RUNOFF OR DISCHARGE ALLOWED TO FLOW THROUGH OR IN CLOSE PROXIMITY OF THE DUMPSTER AREA IN SUCH A WAY AS TO CREATE AN ILLICIT DISCHARGE. ANY ILLICIT DISCHARGE(S) SHALL BE ADDRESSED BY ADOPTED CITY OF KILLEEN CODES AND ENFORCEMENT ACTION.



CITY OF KILLEEN
 DEPARTMENT OF PUBLIC WORKS
 CONSTRUCTION STANDARDS AND DETAILS

**DUMPSTER PAD
 DETAIL**

ISSUE DATE: 01-22-13	SCALE:	SW-01
REVISED: 2-15-18	N.T.S.	